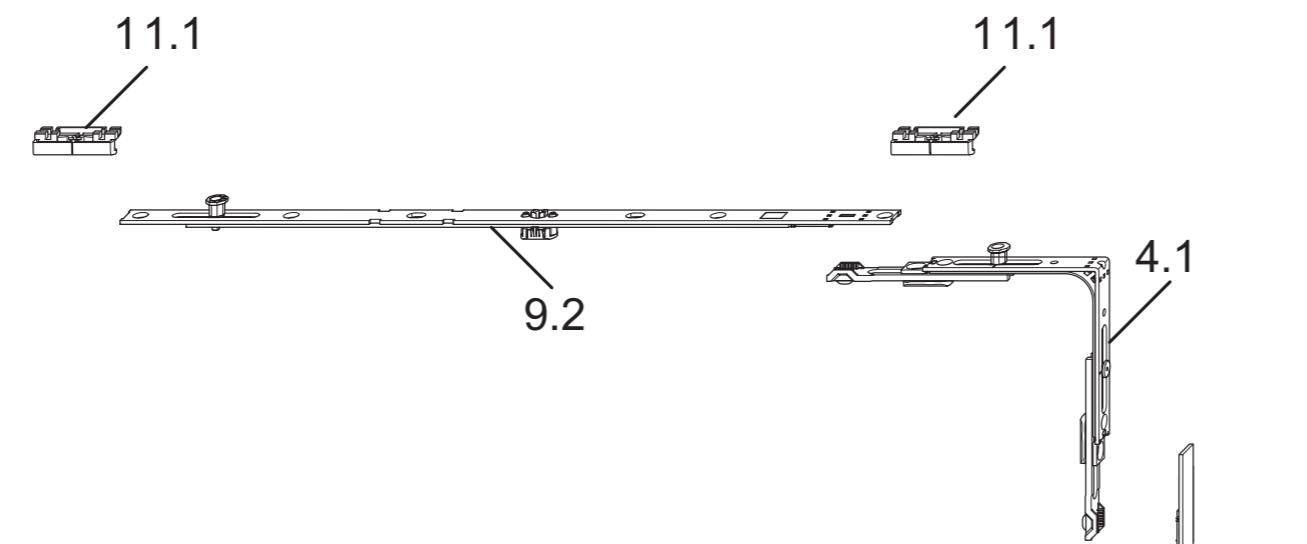
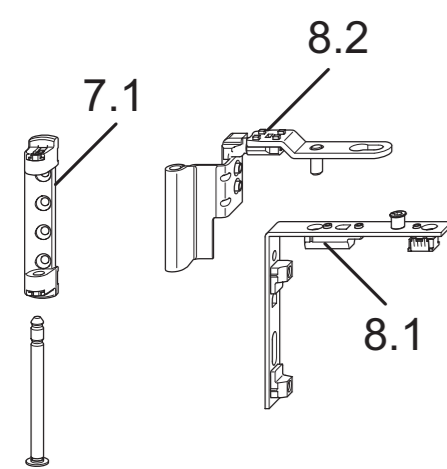
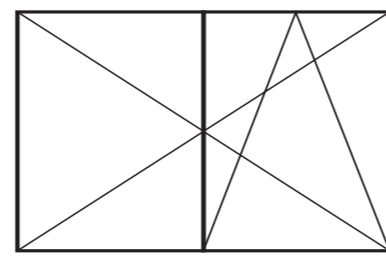


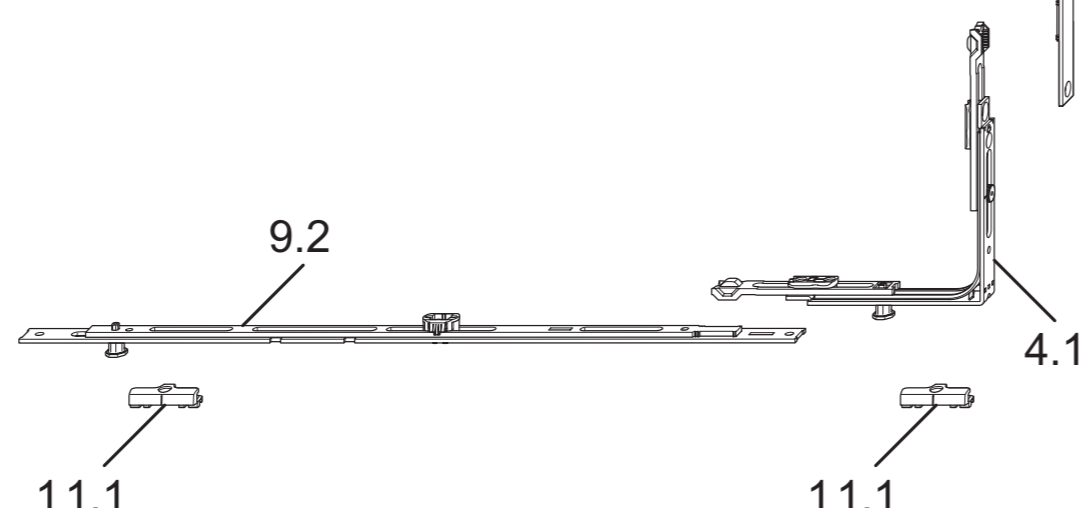
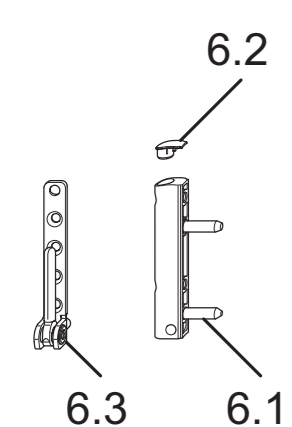
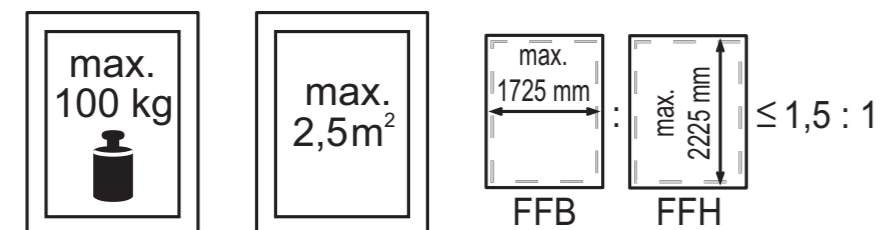
Otevíravé štulové křídlo



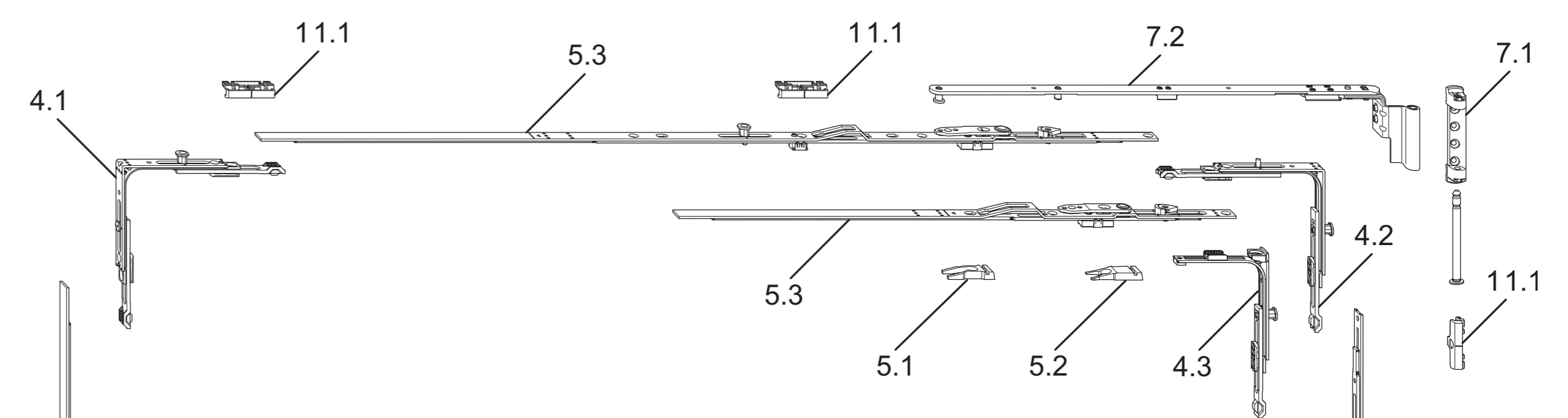
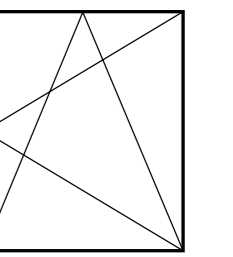
STANDARD			VOLBA		
		Poz.			Poz.
2	E1	4.1	K.SK ...		7...
1	FLK ... 20-6-28 ...	6.1	K.SLK.S ...		7...
1	S.FLK ...	6.2	K.FLK ...		6...
1	ELK.6-3-16 ...	6.3	K.ELK ...		6...
1	SLKS.3-6	7.1	RT.DFE-TFES		10.6
1	DLW ERW	8.1			
1	DLK	8.2			
2	SBAK ...	11.1			

FFB	Poz. 9.1	9.2	Poz. 11.1
280 - 700			
701 - 1200	2x	M.500-1	+ 2
1201 - 1450	2x	M.750-1	+ 2
1451 - 1700	2x	MK.500-1 + M.500-1	+ 2 + 2

FFH	Poz. 3.1	Poz. 9.3	11.4
451 - 545	GASK.710 *		
546 - 695	GASK.710		
696 - 850	GASK.945-1	1x ZV-FT +	ZV-RT ...
851 - 1075	GASK.1100-1	1x ZV-FT +	ZV-RT ...
1076 - 1325	GASK.1325-1	1x ZV-FT +	ZV-RT ...
1326 - 1525	GASK.1550-1	1x ZV-FT +	ZV-RT ...
1526 - 1775	GASK.1775-2	2x ZV-FT +	ZV-RT ...
1776 - 2000	GASK.2000-2	2x ZV-FT +	ZV-RT ...
2001 - 2225	GASK.2225-2	2x ZV-FT +	ZV-RT ...



Otevíravě-sklopné křídlo



STANDARD			VOLBA		
		Poz.			Poz.
2	E1	4.1	E2		4.2
1	E2	4.2	MSLOS PR / LE		10.1
1	FLK ... 20-6-28 ...	6.1	ZS.OS		5.1
1	S.FLK ...	6.2	DFE		10.4
1	ELK.6-3-16 ...	6.3	RT.DFE-TFE		10.5
1	SLKS.3-6	7.1	K.SK ...		7...
1	SBAK ...	11.1	K.SLK.S ...		7...
1	SBKK ...	11.2	K.FLK ...		6...
			K.ELK ...		6...
			KB.OS		5.2
			SBS.K ...		11.3

FFB	Poz. 5.3	4.3	Poz. 9.1	9.2	Poz. 11.1	Poz. 7.2
270 - 370	OS1.600	+ E3 *				SK1 ... PR/LE
371 - 600	OS1.600	+ E3				SK1 ... PR/LE
601 - 775	OS2.800					SK2 ... PR/LE
776 - 1025	OS2.1025-1			M.500-1	+ 2	SK2 ... PR/LE
1026 - 1250	OS2.1250-1			M.500-1	+ 2	SK2 ... PR/LE
1251 - 1475	OS2.1475-1			M.750-1	+ 2	SK2 ... PR/LE
1476 - 1725	OS2.1475-1	+ ZSR	MK.750-1	+ M.500-1	+ 3	SK2 ... PR/LE

FFH	Poz. 3.1	Poz. 9.1	9.2	Poz. 11.1
230 - 324	GAK.465 *	GK = 114		
325 - 420	GAK.465 *	GK = 114		
421 - 460	GAK.465	GK = 210		
461 - 695	GAK.710	GK = 210		
696 - 850	GAK.945-1	GK = 260	M.250-1	+ 2
851 - 1075	GAK.1100-1	GK = 375	M.500-1	+ 2
1076 - 1325	GAK.1325-1	GK = 550	M.750-1	+ 2
1326 - 1525	GAK.1550-1	GK = 550	M.750-1	+ 2
1526 - 1775	GAK.1775-2	GK = 550	MK.750-1 + M.500-1	+ 4
1776 - 2000	GAK.2000-2	GK = 1050	MK.750-1 + M.750-1	+ 4
2001 - 2225	GAK.2225-2	GK = 1050	MK.750-1 + M.750-1	+ 4

